

SnapSolar®

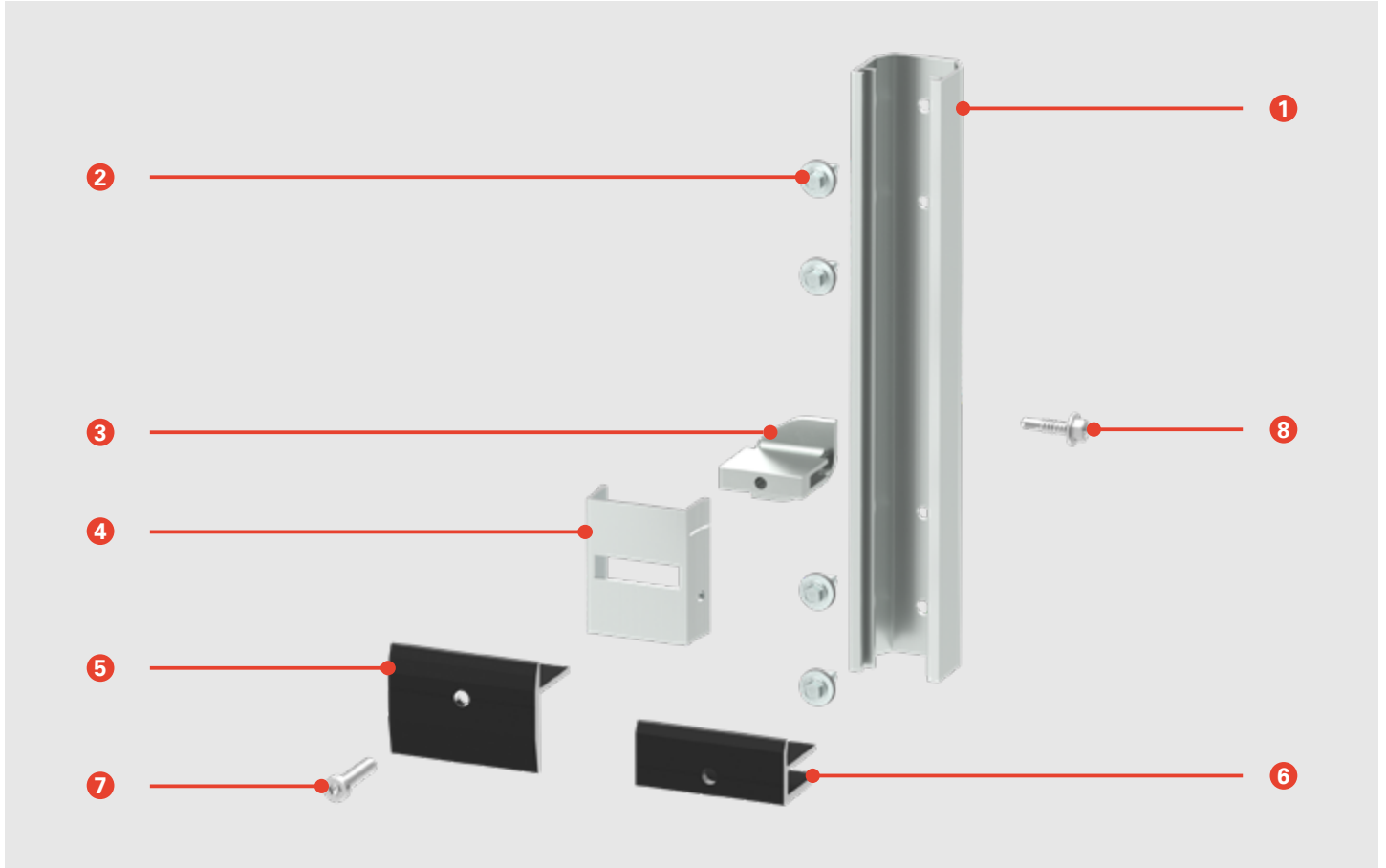
SnapSolar® represents the next generation of mounting solutions for wall-mounted photovoltaic systems, engineered specifically for solar modules ranging from 30–40 mm in thickness.

This innovative system delivers rapid installation on both trapezoidal metal sheets, concrete and sandwich panels (on request), dramatically reducing labor time and associated costs. Its intelligent modular system enables seamless adaptation to diverse installation scenarios. Featuring precision positioning mechanisms, SnapSolar® elevates solar installations to new levels of efficiency and craftsmanship. Step into the future of solar technology with SnapSolar®.



Features and benefits



- **Fast and simple assembly**
 - Minimizes installation duration and labor requirements for superior efficiency
 - Reduces setup to lower workforce expenses
 - **Modular system-lower material costs**
 - Adaptable to diverse applications with minimal parts requirements
 - **Fault forgiving**
 - Enables effortless fine-tuning and alignment adjustments
 - **Design software for streamlined project planning**
 - Facilitates efficient planning and optimization from concept to completion
-



Components

ID	Product code	PU	
1	C-Rail C32 250mm with EPDM	120	2175259
2	CX-S16-6.0x25-A2	500	2179713
3	PV-Holder 30-40	120	2150127
4	SnapClip	120	2150128
5	PV Mid-Clamp	120	2150129
6	PV End-Clamp	120	2150130
7	M6x30-A2	120	2176535
8	SDA5/3,5-8-H13-S4-5,5x22	120	2179715

Optional accessories*

Product code	PU		
Fine adjustment plate 1mm	1000	628496	
Cable ties	100	2173699	

* See installation instructions